

Piezo Rotation Stage | PR-32



www.micronixusa.com | info@micronixusa.com | phone: +1 (949) 480 0538 | fax: +1 (949) 480 0538

The PR-32 is a compact rotation stage with unlimited travel. Two pre-loaded steel ball bearings ensure smooth motion and high stability. It utilizes our patent-pending multi-phase piezo motor resulting in high speed (> 6 °/s) and high blocking force. The PR-32 can be combined with the linear PPX-32 or with the PPS-series stages. Versions capable of operation in vacuum (10⁻⁹ mbar) are available. The PR-32 is compatible with the MMC-100 and MMC-110 controllers.

KEY FEATURES

- **New reduced height** (14 mm Open Loop, 21 mm Closed Loop)
- 1/2" clear aperture (Open Loop)
- Load capacity up to 1 kg
- Steel ball bearings
- Vacuum versions available
- Continuous 360° motion

TECHNICAL DATA

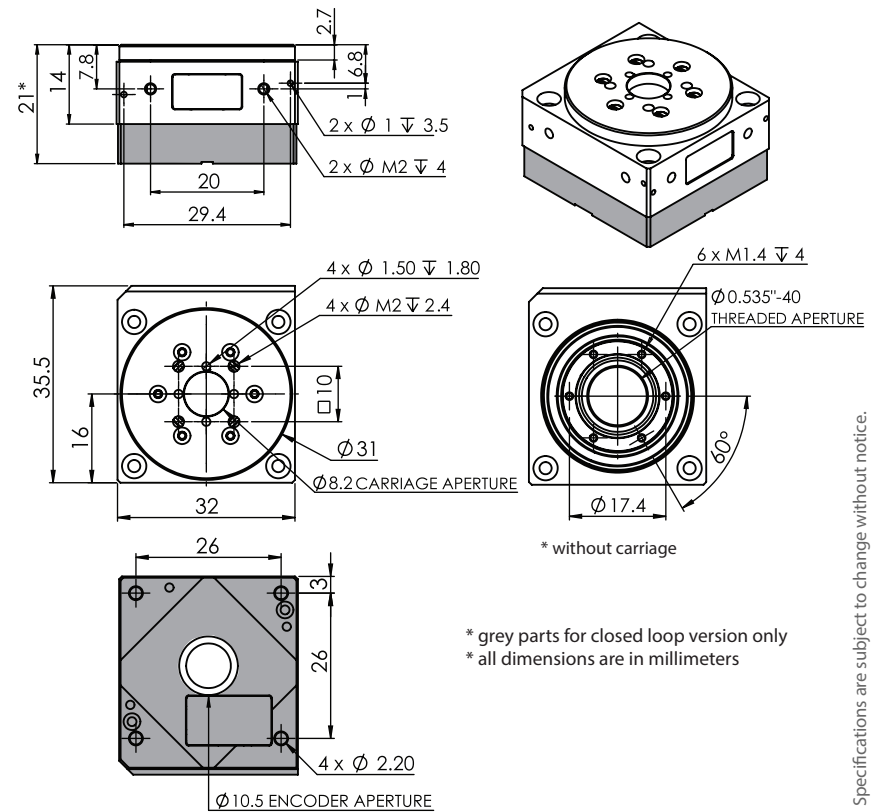
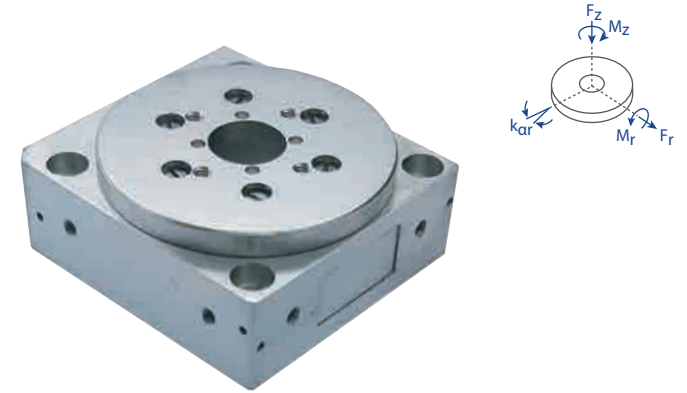
Travel range [°]	360, Continuous		
Flatness (bearings) [μm]	± 5		
Eccentricity (bearings) [μm]	± 5		
Wobble [μrad]	± 100		
Weight [g]	50		
Motor option	Piezo Motor		
Speed, max [°/s]	6 (MMC-100), 30 (MMC-110)		
Encoder option	None (open loop)	Analog (1 V_{pp})	Digital (RS-422)
Resolution, typical [μ°]	3.6	50(MMC-100),10(MMC-110)	5
Repeatability, bi-directional [μ°]	n/a	± 200	200
Repeatability, uni-directional [μ°]	n/a	200	200
Accuracy [μ°]	-	-	-
Materials	aluminum body, steel bearing (other materials i.e. stainless steel, titanium, etc. available upon request)		

ORDERING INFORMATION

	PR-32-	1	1			
DRIVE	Piezo Motor, PM-002R	1				
TRAVEL	360°, Continuous	1				
ENCODER	None	0				
	Analog (1 V _{pp})	2				
	Digital (RS-422)	3				
HOME SWITCH*	None	0				
	Magnetic	1				
ENVIRONMENT	Atmospheric	0				
	High Vacuum, 10 ⁻⁶ mbar	6				
	Ultra High Vacuum, 10 ⁻⁹ mbar	9				

* Only available in open loop

Load, max	F _r [N]	F _z [N]	M _r [N-m]	M _z [N-m]	k _{car} [μrad/N-m]
PM-002R	10	10	0.5	0.025	-



Specifications are subject to change without notice.