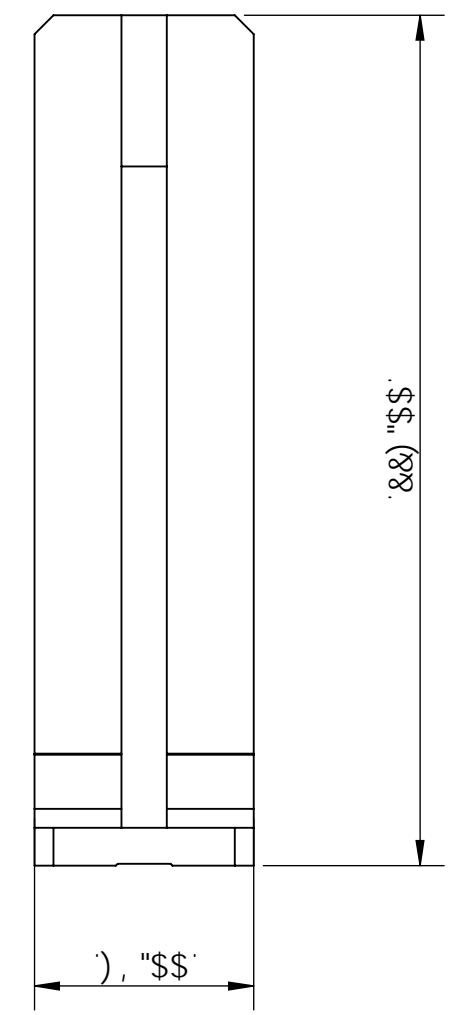
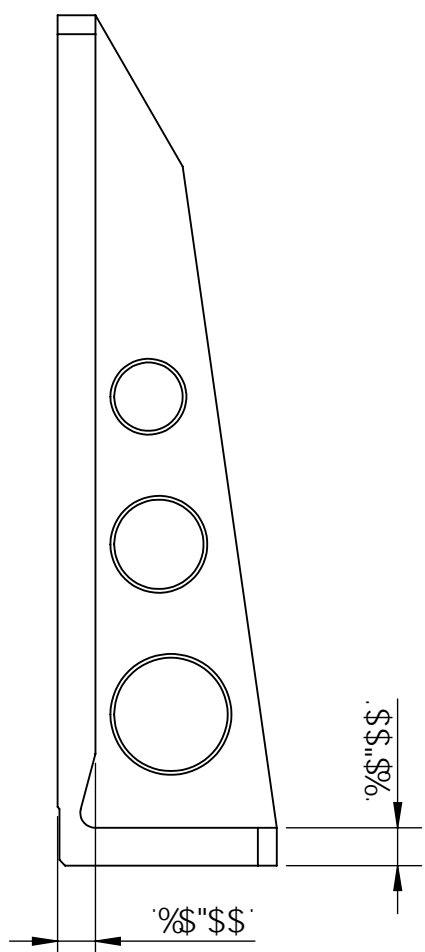
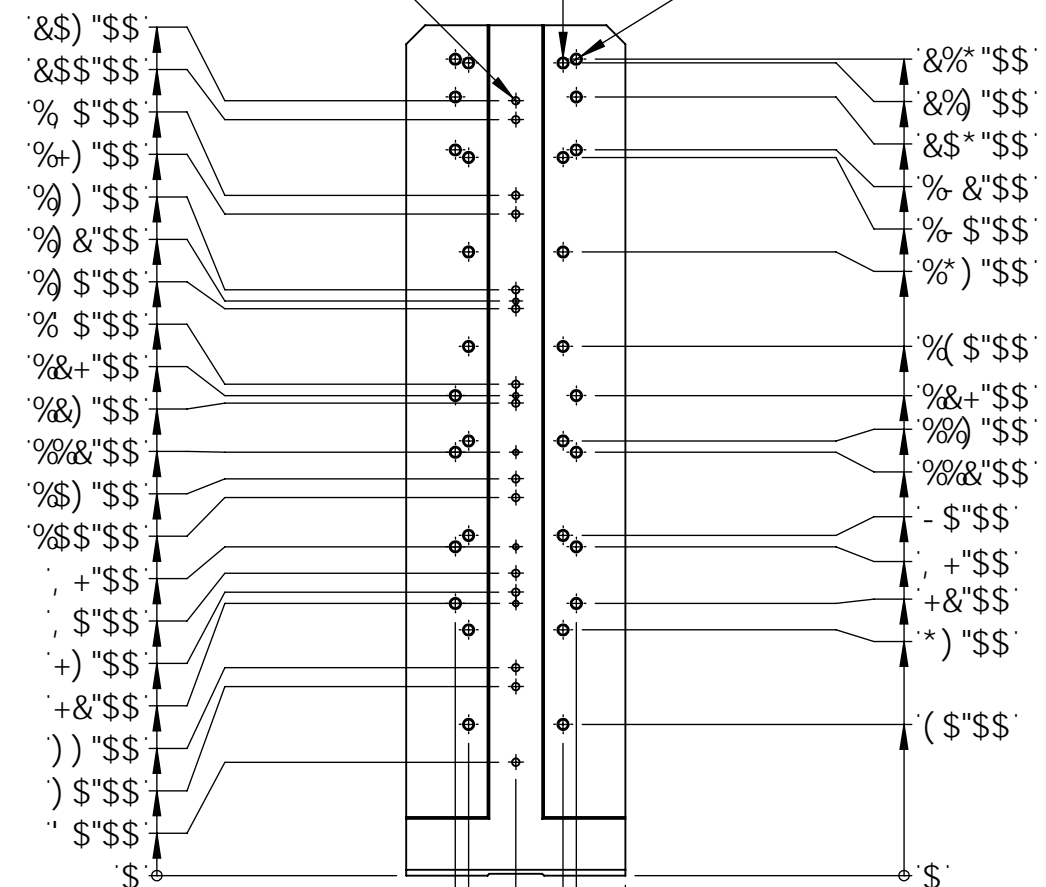
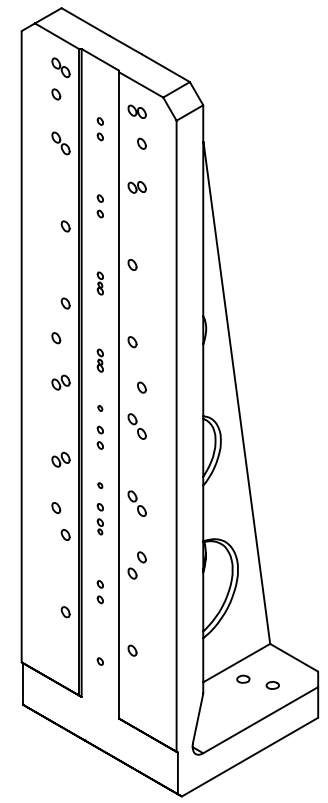


F9J 6C BG				
F9J	89G7 F-DHC B	85H9	6M	5DDF
5	7 F95H98 85H5G<99HHC A 5H7 < F9J 5 6F57?9H	\$ #S, #&S&	7<	

Ž\$"\$%\*  
%L'Ø '&"\$\$\$Ž\$"\$%\*∇ " "\$\$

%\*L'A' L\$") !\* < ∇ \*"\$\$\$  
DDG\*\$'A C I BHB; 'D5H9FB

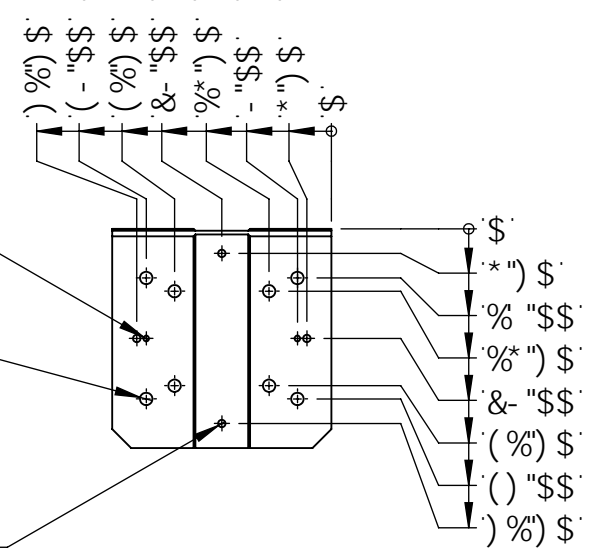
%(L'A' L\$") !\* < ∇ \*"\$\$\$  
588#HC B5@A C I BHB; 'D5H9FB



Ž\$"\$&  
&L'Ø '%' \$ Ž\$"\$%∇ " "\$\$

L'Ø "' "\$HFI

Ž\$"\$&  
(L'Ø '&"\$\$\$Ž\$"\$%∇ " "\$\$



D5FHBI A 69F	A 5HF-5@	:B-G<
(' \$, & !\$\$\$	*\$*%H' 5@ A BI A	BCB9
(' \$, & !%\$	*\$*%H' 5@ A BI A	6@7? 5BC 8#98

C H 9F A 5HF 5 @ 5J 5 @ 6@  
I DC B F9E I 9GH

DECDF 9H5FM5B8 7CB: 89B5@ H:9 B: CFA 5HC B 7CBH5 B98 B H: 68C 71A 9BH G H: 9GC @DFC D9F HMC: A 7FC B L I G52@		I B @9GC H:9FK @9D97 = 98. 1 8 A 9BGC BG5F9 B A @9A 9HFGQWYGD 1 5 @8 A 9BGC BG5DD@MHC: B G<98 D5FH		%)) 7 C @MF J 9F 7 F7 @ : C I B H 5 B J 5 @ M 7 5 - & + S, H (- L (, S I S) , DF 97 : G C B - A C H C B - G C @ H C B G k k k ? a M C b j i g j W b a	
8 67 @ G F 928 I D @ 7 5 H C B 2 C F 5 B M C H: 9 F I 0 9 B D5FHCF 5G5 K < C @9K H: C I H: 9DF C F K F #H9B D9FA 6GC B C: A 7FC B L I G52@7 GDFC < 6+98*		1 6 F 95 ? 5 @ G C 5 F D 98: 9 G S S) ! S % ) a a H C @ F 5 B 7 9 G L' L ± S % @ ( S " S S) Q L' L L ± S \$ ) S ( S " S S) Q L' L L L ± S \$ @ ( S " S S) Q 5 B: @ 9 G ± S ) *		H H 9 DDG * \$ Z N 6 F 5 7 ? 9 H z < & &) A A ž 8 5 H 5 G < 9 9 H	
A 5HF-5@ G99 A 5HF 5 @ H 5 6 @		8F5K B 7 < 85H9 \$: #S, #&S&		8K: BC"	
<95HIF 95HA 98H BCB9		G F: 579 % : B G < ✓ σa		7 < 97 ? 98 5: 85H9 \$: #S- #&S&	
8C B CHG 7 5 @ 8 F 5 K B:		9B: 5DDF"		85H9 .	
				G N P 6 A 9 F 7 H: F 8 5 B: @	
				G 7 5 @ G < 99 H % & % #	

8

8

7

7

6

6

5

5