

Precision Positioning Stage | PPS-60LM

The PPS-60 is high-precision, long travel linear stage. The same stage is available with piezo motor, linear motor or stepper motor drive. Ball bearings assure high stiffness and guiding accuracy for loads up to 150 N. The PPS-60 is available with linear encoder for increased resolution and repeatability. PPS-60 stages can be mounted in XY without any adapter, and a Z-axis can be added with the use of a standard mounting bracket.

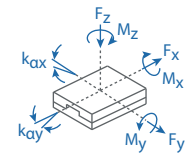
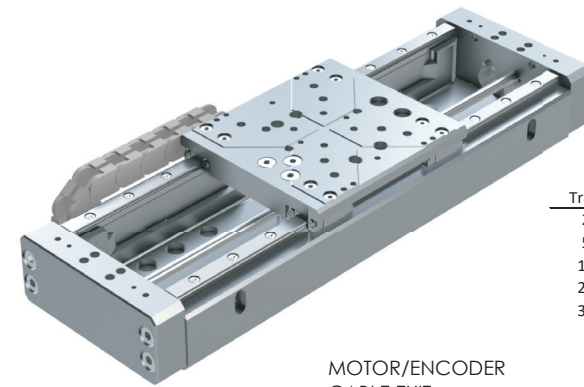
KEY FEATURES

- Travel ranges up to 300 mm (longer travel available on request)
- 10 nm closed loop encoder resolution
- Load capacity up to 15kg
- Integrated mechanical limit switches
- Vacuum versions are available

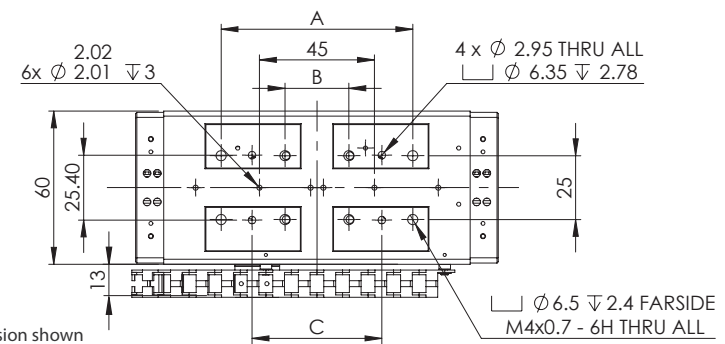
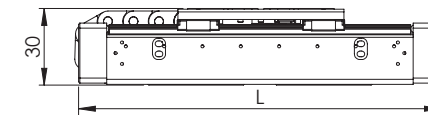
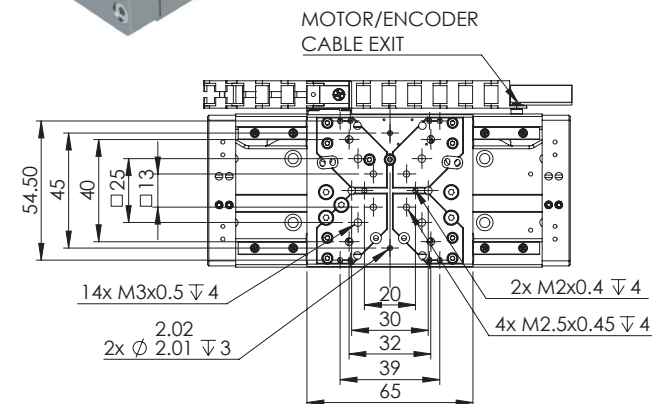
TECHNICAL DATA

Travel range [mm]	25	50	100	200	300
Straightness / Flatness [μm]	± 2.5	± 4	± 6	± 8	± 10
Pitch [μrad]	± 50	± 75	± 100	± 125	± 150
Yaw [μrad]	± 50	± 75	± 100	± 125	± 150
Weight [g]	400	450	575	785	985
Motor option	Linear Motor				
Speed, max [mm/s]	100				
Encoder option	Analog (1 V_{pp})		Digital (RS-422)		
Resolution, typical [nm]	10		10		
Repeatability, bi-directional [nm]	± 100		± 100		
Repeatability, uni-directional [nm]	100		100		
Materials	aluminum body, steel bearing (other materials i.e. stainless steel, titanium, etc. available upon request)				

Load, max	F_x [N]	F_y [N]	F_z [N]	M_x [N-m]	M_y [N-m]	M_z [N-m]	k_{ax} [$\mu\text{rad}/\text{N-m}$]	k_{ay} [$\mu\text{rad}/\text{N-m}$]
LM-002	5 Peak	100	150	10	10	10	100	100



Travel	L	A	B	C
25	117	75	25	50.8
50	142	75	25	50.8
100	192	125	75	101.6
200	292	225	175	203.2
300	392	325	275	304.8



- 50 mm travel version shown
- All dimensions are in millimeters

ORDERING INFORMATION †

PPS-60- 3

DRIVE	Linear Motor, LM-002	3
TRAVEL	25 mm	1
	50 mm	2
	100 mm	3
	200 mm	4
	300 mm	5
ENCODER	Analog (1 V _{pp})	2
	Digital (RS-422)	3
LIMIT SWITCH	None	0
	Mechanical	1
ENVIRONMENT	Atmospheric	0
	High Vacuum, 10 ⁻⁶ mbar	6

† refer to product manual for additional information.