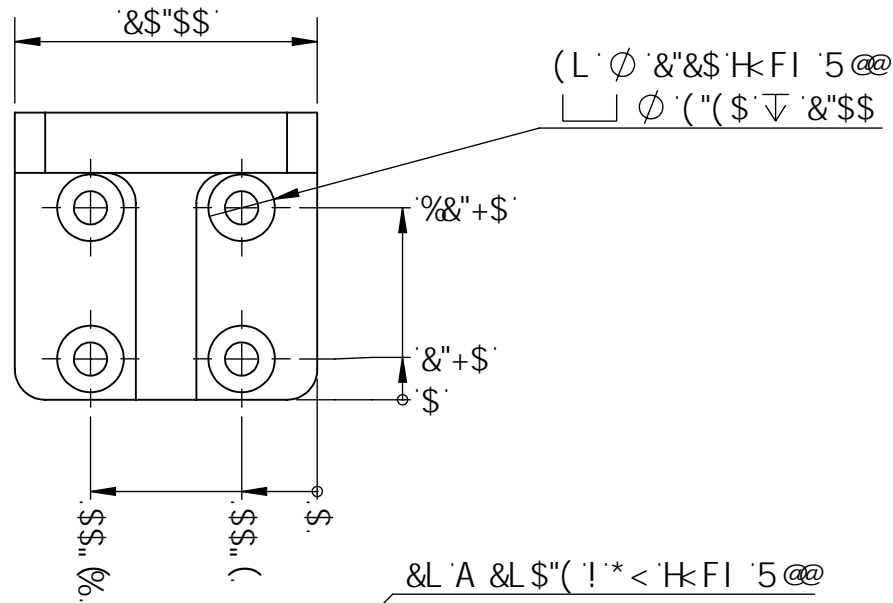
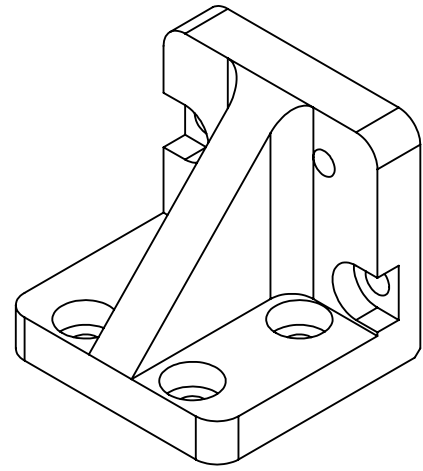
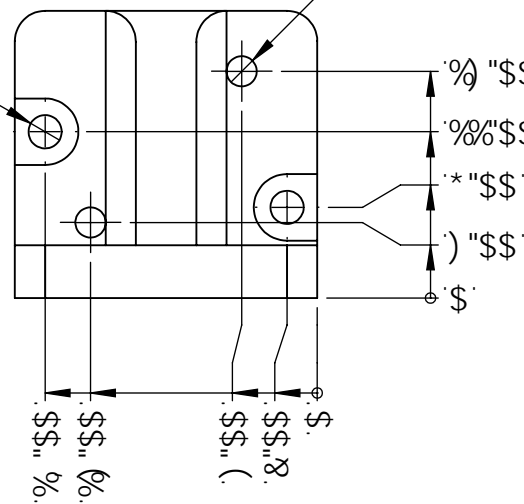


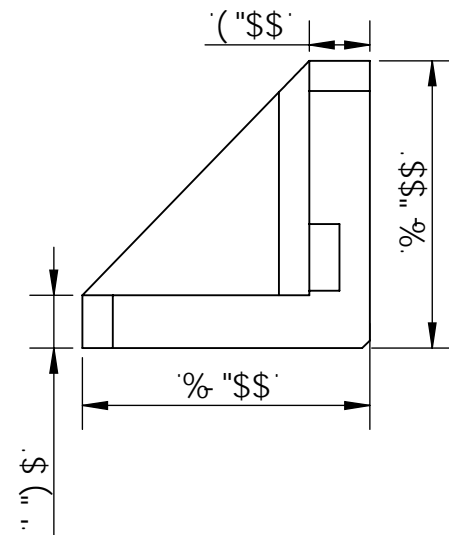
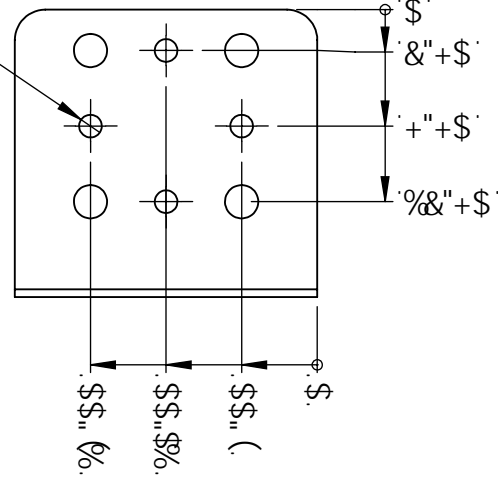
F9J 6C BG				
F9J	89G7 F-DHC B	85H9	6M	5DDF
5	7F95H98 85H5G<99HHC A 5H7 < F9J 5 6F57?9H	\$' #\$, #&\$&	7 <	



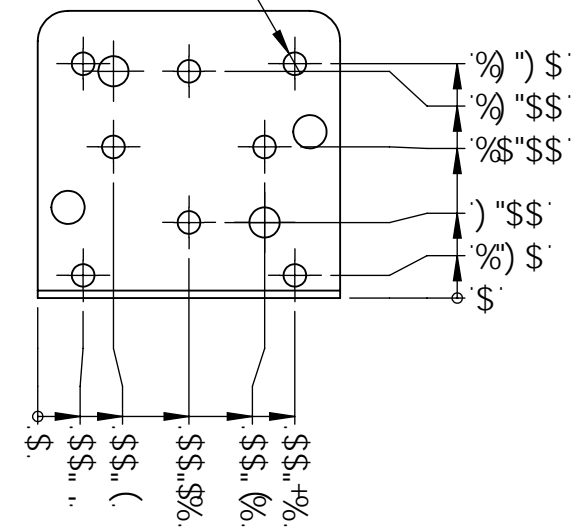
&L'Ø '&\$\$'HkFI '5@@
 □ Ø ('(\$'↓ '&\$\$



ž\$\"/>



ž\$\"/>



D5FHBI A 69F	A 5HF-5@	:B-G<
(' \$)-1\$\$%	*\$%H' 5@ A-BI A	BCB9
(' \$)-1%\$%	*\$%H' 5@ A-BI A	6@7? 5BC 8#98

C H 9F 'A 5HF-5@G5J 5-@6@
 I DC B F 9E I 9GH

DECDF 9H5FM5B8 7CB: 89BH5@ H:9-B: CFA 5HC B 7CBH5 B98 B Hk 68C 71A 9BH 6H:9GC @9DFC D9FHC: A 7FCB 1 G52@ 8-67 @G F9281 D@7 5HC B2C F 5BMC H:9F I 09 B D5FHCF 5G5 K <C @9K HkCI Hk:9DF C F K F H9B D9FA 6GC B C: A 7FCB 1 G52@ GDFC <6+98*		I B @9GC H:9FK 69D97 = 98. 1 8-A 9BGC BG5F9 B A-@A 9HFGQWYgD 1 5@@8 A 9BGC BG5DD@MHC: B 6<98 D5FH 1 6F95? 5@@G<5FD 98: 9G\$S) !S%) a a		<p>A 7FCB 1 G5</p> <p>DDG&'N6F57?9Hž<% ž 85H5G<99H</p>	
A 5HF-5@ G99'A 5HF-5@H5 6@ <95HIF 95HA 98H		8F5K B 7 < 85H9 \$' #\$, #&\$& 7 < 97 ?98 85H9 \$' #\$, #&\$& # 5: 85H9 \$' #\$, #&\$& 9B: 5DDF"		<p>8K: BC"</p> <p>(' \$) \$-</p> <p>F9J 5</p>	
BCB9 8C BCHG75@8F5K B:		G F: 579 % :B-G< ✓ σa		<p>G7 5@ G<99H &% %H%</p>	