

Precision Positioning Table | MLS-38LM

NEW

www.micronixusa.com | info@micronixusa.com | phone: +1 (949) 480 0538 | fax: +1 (949) 480 0538

The MLS-38LM is a high speed positioning stage. The ultra low profile stage uses low maintenance recirculating ball bearings and a linear motor for smooth travel with 500g of maximum load. The MLS-38LM is designed to be operated in atmospheric environments. The MLS-38LM stage is compatible with the Nanodrive™ controller.

KEY FEATURES

- 18mm travel (additional travel lengths available on request)
- 50nm absolute encoder resolution
- Load up to 0.5 kg
- Low profile, 11mm height

TECHNICAL DATA

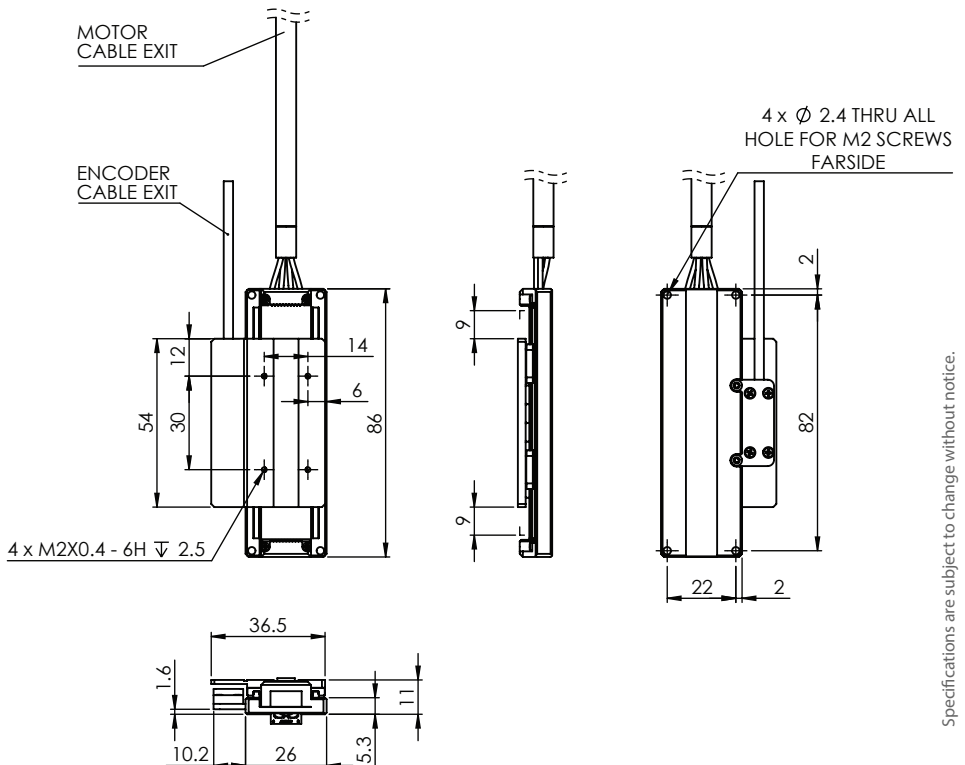
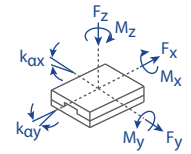
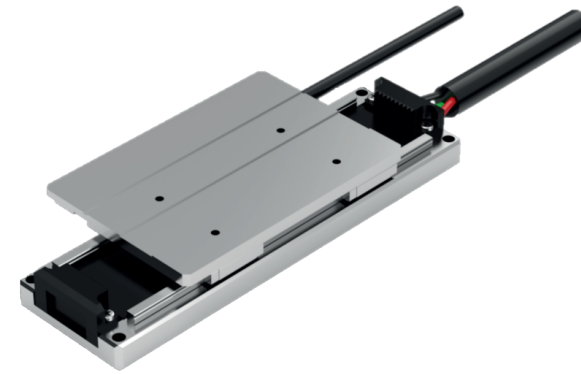
Travel range [mm]	18
Straightness / Flatness [μm]	-
Pitch [μrad]	-
Yaw [μrad]	-
Weight [g], Open Loop	224
Weight [g], Closed Loop	230
Motor option	Linear Motor
Speed, max [mm/s]	200
Encoder option	Absolute (BiSS C)
Resolution, typical [nm]	50
Repeatability, bi-directional [nm]	± 500
Repeatability, uni-directional [nm]	500
Materials	steel carriage and base, steel bearing, (other materials i.e. stainless steel, titanium, etc. available upon request)

ORDERING INFORMATION

MLS-38LM - 3 1 5 0 0

DRIVE	Linear Motor	3
TRAVEL	18mm	1
ENCODER	Absolute (BiSS C)	5
LIMIT SWITCH	None	0
ENVIRONMENT	Atmospheric	0

Load, max	F_x [N]	F_y [N]	F_z [N]	M_x [N·m]	M_y [N·m]	M_z [N·m]	k_{ax} [$\mu\text{rad}/\text{N·m}$]	k_{ay} [$\mu\text{rad}/\text{N·m}$]
PM-002	3 peak 1 (cont)	5	5	1	1	1	-	-



Specifications are subject to change without notice.