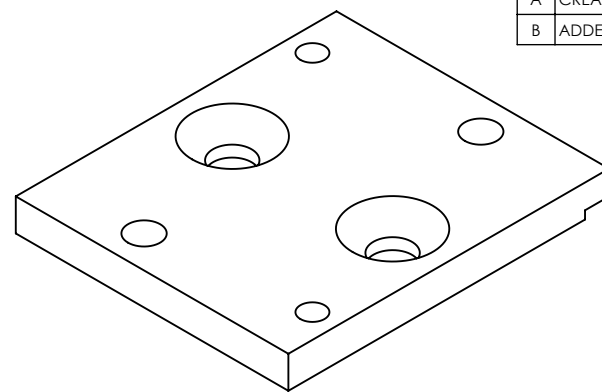


NOTES:

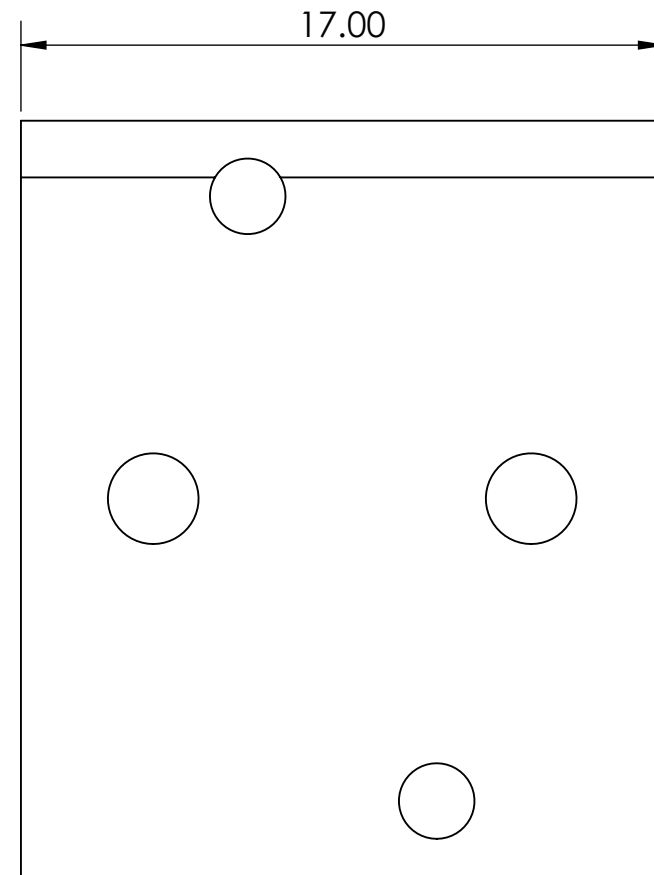
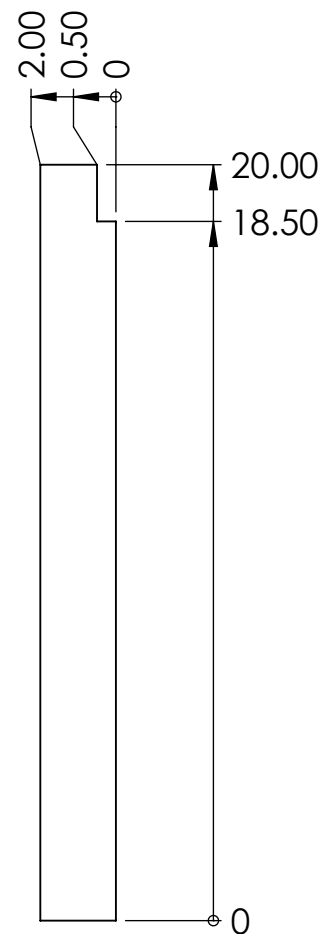
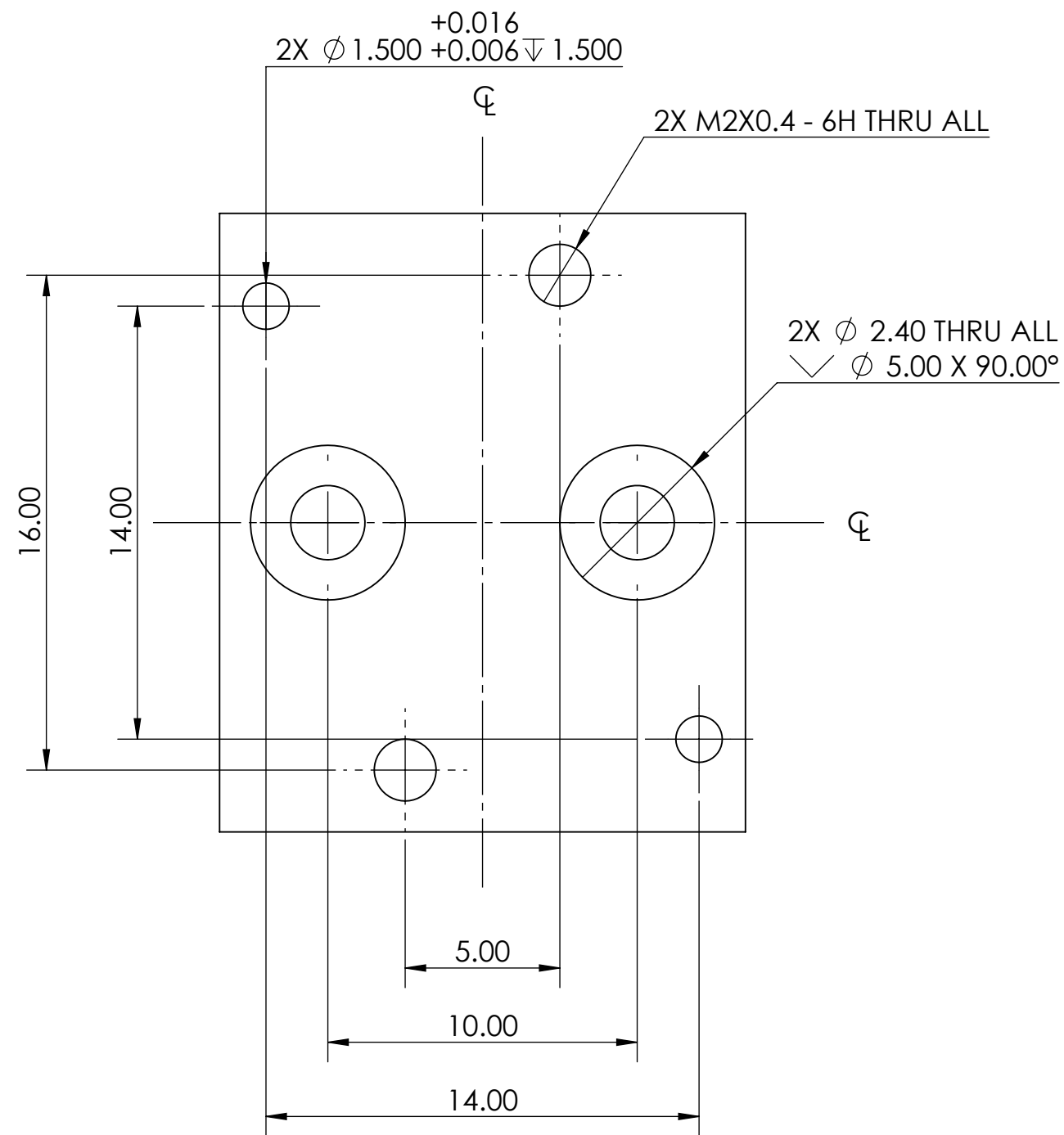
BRACKET IS NOT TO BE USED ON L 30 CARRIAGE, BRACKET COMPATIBLE IS AS FOLLOWS:

1. MOUNT BRACKET ON L20 CARRIAGE AND MOUNT L20 STAGE ON BRACKET FOR XY
2. MOUNT BRACKET ON L20 CARRIAGE AND MOUNT L30 STAGE ON BRACKET FOR XY

REVISIONS				
REV	DESCRIPTION	DATE	BY	APPR
A	CREATED DATASHEET TO MATCH REVISION A BRACKET	03/08/2023	CH	
B	ADDED MOUNTING CLARIFICATION NOTES	1/2/2024	DR	



ISOMETRIC VIEW NOT TO SCALE



PART NUMBER	MATERIAL	FINISH
430757-001	6061-T6 ALUMINUM	NONE
430757-101	6061-T6 ALUMINUM	BLACK ANODIZED

OTHER MATERIALS AVAILABLE UPON REQUEST

<p>PROPRIETARY AND CONFIDENTIAL THE INFORMATION CONTAINED IN THIS DOCUMENT IS THE SOLE PROPERTY OF MICRONIX USA, LLC. DISCLOSURE, DUPLICATION, OR ANY OTHER USE IN PART OR AS A WHOLE WITHOUT THE PRIOR WRITTEN PERMISSION OF MICRONIX USA, LLC IS PROHIBITED.</p>		<p>UNLESS OTHERWISE SPECIFIED: - DIMENSIONS ARE IN MILLIMETERS [inches] - ALL DIMENSIONS APPLY TO FINISHED PART - BREAK ALL SHARP EDGES 0.05-0.15mm</p>		<p>11555 COLEY RIVER CIRCLE FOUNTAIN VALLEY, CA 92708 (949) 480-0538 www.micronixusa.com</p>	
<p>MATERIAL SEE MATERIAL TABLE</p>		<p>TOLERANCES: X.X \pm 0.125 [0.005] X.XX \pm 0.050 [0.002] X.XXX \pm 0.025 [0.001] ANGLES \pm 0.5°</p>		<p>TITLE PP-18 XY-BRACKET, 20&30 MM, DATSHEET</p>	
<p>HEAT TREATMENT NONE</p>		<p>SURFACE FINISH 1.6 μm</p>		<p>DRAWN CH DATE 03/08/2023 CHECKED AF DATE 01/05/2024 ENG APPR. DATE</p>	
<p>DO NOT SCALE DRAWING</p>		<p>DWG NO. 430757</p>		<p>REV B</p>	
		<p>SCALE 5:1</p>		<p>SHEET 1/1</p>	