

NEW

Precision Rotation Stage | PR-70TM

www.micronixusa.com | info@micronixusa.com | phone: +1 (949) 480 0538 | fax: +1 (949) 480 0538

Preliminary

The PR-70TM is a compact rotation stage with unlimited travel and a 25.6mm clear aperture. Steel crossed roller bearings provide smooth motion and high stability. Its magnetic direct-drive motor delivers high speed for demanding rotation applications. It integrates easily with PPX-50 or PPS-70 linear stages without adapter brackets, simplifying multi-axis setups and saving space. Versions are available for vacuum applications down to 10^{-6} mbar, and the stage is compatible with MMX-Series and NanoDrive controllers for flexible, precise motion control.

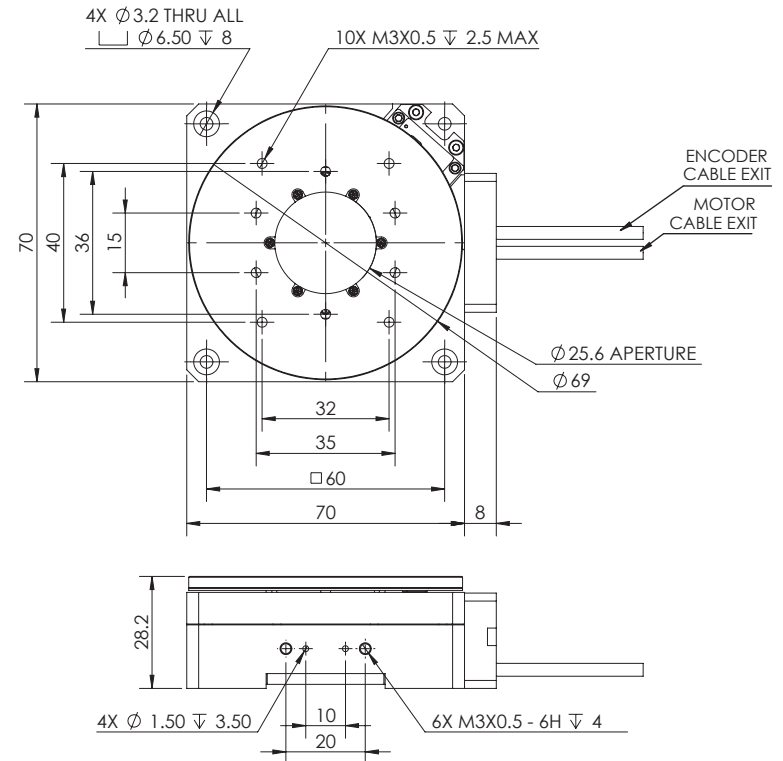
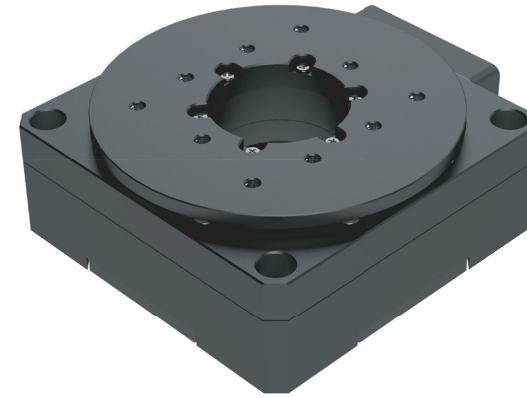
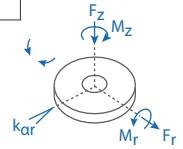
KEY FEATURES

- Continuous 360° motion
- 25 μ° closed loop digital encoder resolution
- Load capacity up to 3.5 kg
- 25.6mm aperture
- Crossed roller bearing
- 28.2mm height
- Vacuum versions available

TECHNICAL DATA

Travel range [°]	360°, limitless	
Flatness (bearings) [μm]	± 10	
Eccentricity (bearings) [μm]	± 10	
Wobble [μrad]	± 400	
Weight [g]	340	
Motor option	Torque Motor	
Speed, max [°/s]	720	
Encoder option	Digital (RS-422)	Absolute (BiSS C)
Resolution, typical [μ°]	25**	<50
Repeatability, bi-directional [μ°]	± 200	± 500
Repeatability, uni-directional [μ°]	200	500
Materials	aluminum body, steel bearing (other materials i.e. stainless steel, titanium, etc. available upon request)	

Load, max	F_r [N]	F_z [N]	M_r [N-m]	M_z [N-m]	k_{ar} [$\mu\text{rad/N-m}$]
LM-007	25	35	5	0.19 Peak 0.11 Continuous	150



*** all dimensions are in millimeters

ORDERING INFORMATION

PR-70- 3 1 0

DRIVE	Torque Motor.....	3
TRAVEL	360°	1
ENCODER	Digital (RS-422)	3
	Absolute (BiSS C)	5
HOME SWITCH	None	0
ENVIRONMENT	Atmospheric	0
	High Vacuum, 10^{-6} mbar	6

** adjustable upon request, refer to manual for configurations

Specifications are subject to change without notice.