

NEW

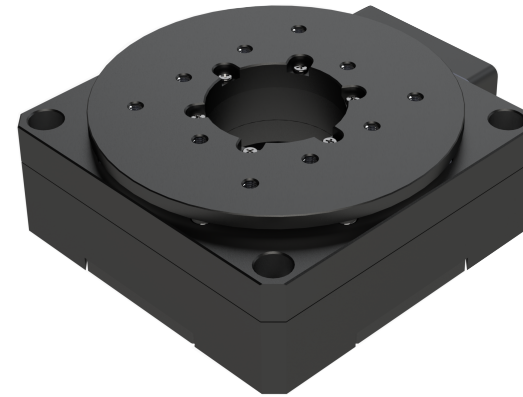
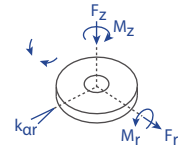
# Precision Rotation Stage | PR-70TM

www.micronixusa.com | info@micronixusa.com | phone: +1 (949) 480 0538 | fax: +1 (949) 480 0538

Preliminary

The PR-70TM is a compact rotation stage with unlimited travel and a 1 inch aperture. Steel crossed roller bearings ensure smooth motion and high stability. The PR-70TM can be combined with the linear PPX-50 or PPS-70 (51mm travel and up) stages without an adapter bracket. Versions capable of operation in vacuum ( $10^{-6}$  mbar) are available. The PR-70TM is compatible with the NanoDrive controller.

Load, max	$F_r$ [N]	$F_z$ [N]	$M_r$ [N-m]	$M_z$ [N-m]	$k_{qr}$ [ $\mu$ rad/N-m]
SM-006	20	30	5	TBD	150

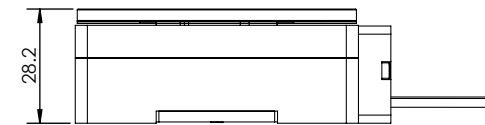
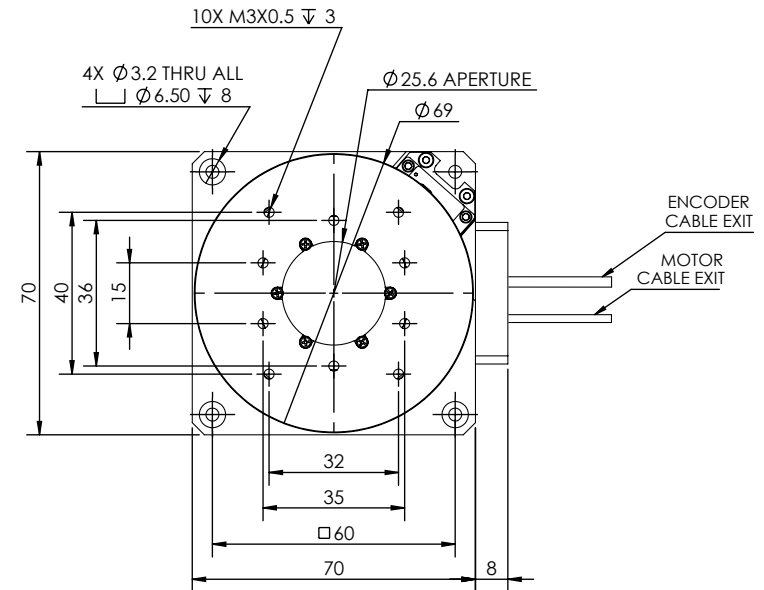


## KEY FEATURES

- Continuous 360° motion
- 5  $\mu$  closed loop digital encoder resolution
- Load capacity up to 3 kg
- 1" aperture
- Crossed roller bearing
- 28.2mm height
- Vacuum versions available

## TECHNICAL DATA

Travel range [°]	360°, limitless	
Flatness (bearings) [ $\mu$ m]	$\pm 10$	
Eccentricity (bearings) [ $\mu$ m]	$\pm 10$	
Wobble [ $\mu$ rad]	$\pm 300$	
Weight [g]		
Motor option	Torque Motor	
Speed, max [°/s]	720	
Encoder option	Digital (RS-422)	Absolute (BiSS C)
Resolution, typical [ $\mu$ °]	5	<50
Repeatability, bi-directional [ $\mu$ °]	$\pm 200$	$\pm 500$
Repeatability, uni-directional [ $\mu$ °]	200	500
Materials	aluminum body, steel bearing (other materials i.e. stainless steel, titanium, etc. available upon request)	



\* all dimensions are in millimeters

## ORDERING INFORMATION

PR-70- 3 1 0

DRIVE	Torque Motor.....	3
TRAVEL	360° .....	1
ENCODER	Digital (RS-422) .....	3
	Absolute (BiSS C) .....	5
HOME SWITCH	None .....	0
ENVIRONMENT	Atmospheric .....	0
	High Vacuum, $10^{-6}$ mbar .....	6

Specifications are subject to change without notice.