

Piezo Rotation Stage | PR-20 NEW

www.micronixusa.com | info@micronixusa.com | phone: +1 (949) 480 0538 | fax: +1 (949) 480 0538

The PR-20 is an ultra-compact rotational piezo stage. Low profile and high load capacity are achieved through the use of a multi-phase piezo motor, which allows for smooth 360° travel. Vacuum and non magnetic versions are available. The PR-20 is compatible with the MMC-100 and MMC-110 controllers.

KEY FEATURES

- 2.5 mm aperture
- Continuous 360° motion
- Load capacity up to 0.1 kg
- Low profile, 13.5 mm height
- Vacuum and non magnetic versions available

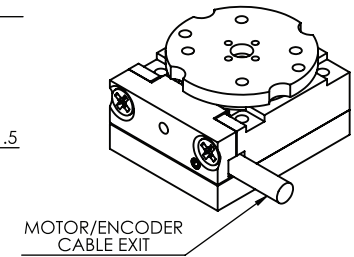
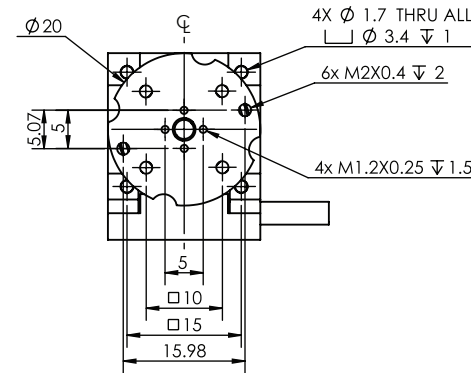
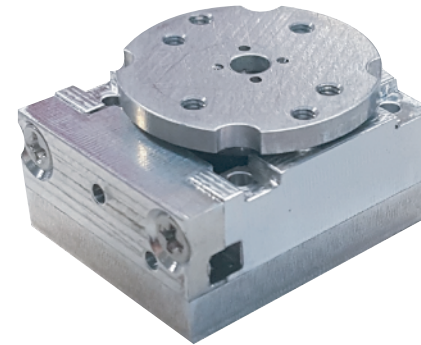
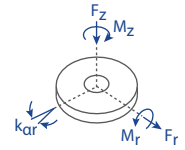
TECHNICAL DATA

Travel range [°]	360°, limitless	
Flatness (bearings) [μm]	± 20	
Eccentricity (bearings) [μm]	± 20	
Wobble [μrad]	± 500	
Weight [g]	15	
Motor option	Piezo Motor	
Speed, max [°/s]	5 (MMC-100), 10 (MMC-110)	
Encoder option	None (open loop)	Digital
Resolution, typical [μ°]	500	200
Repeatability, bi-directional [μ°]	n/a	± 1000
Repeatability, uni-directional [μ°]	n/a	1000
Materials	aluminum body, steel bearing (other materials i.e. stainless steel, titanium, etc. available upon request)	

ORDERING INFORMATION

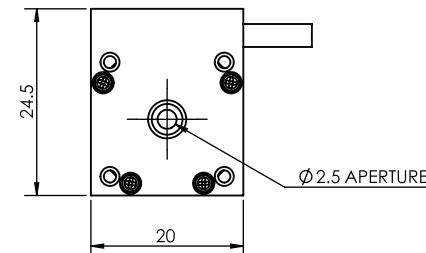
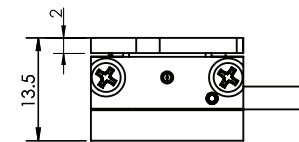
		PR-20-	1	1		0
DRIVE	Piezo Motor.....	1	1			
TRAVEL	360°	1				
ENCODER	None	0				
	Digital	3				
LIMIT SWITCH	None	0				
ENVIRONMENT	Atmospheric	0				
	High Vacuum, 10 ⁻⁶ mbar	6				

Load, max	F _r [N]	F _z [N]	M _r [N-m]	M _z [N-m]	k _{qr} [μrad/N-m]
PM-002	0.5	0.5	0.05	0.001	-



MOTOR/ENCODER CABLE EXIT

* all dimensions are in millimeters



Specifications are subject to change without notice.