

Translation Stage | VT-21S

The low cost VT -21S linear stage excels in applications with very limited space due to its compact design. The stage utilizes a 2-phase stepper motor and is equipped with two mechanical limit switches. A pre-loaded ball slide creates high stiffness and superior performance. The VT-21S is available with an optional linear encoder with 50nm resolution. The stages can be mounted in XY or XYZ configuration in a space saving arrangement. Versions capable of operation in vacuum (10^{-6} mbar) are available. The VT-21S is compatible with the MMC-200 controller.

KEY FEATURES

- Travel range of 10 mm
- 50 nm closed loop encoder resolution
- Load capacity up to 1 kg
- Ball slide
- Integrated mechanical limit switches
- Vacuum versions available

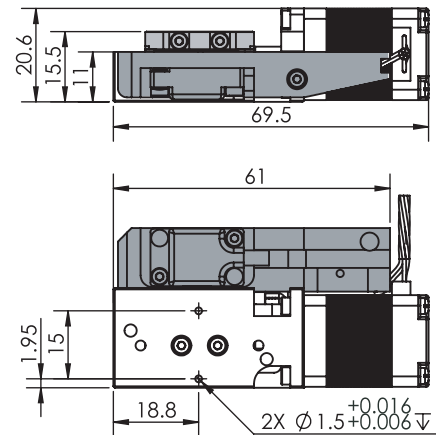
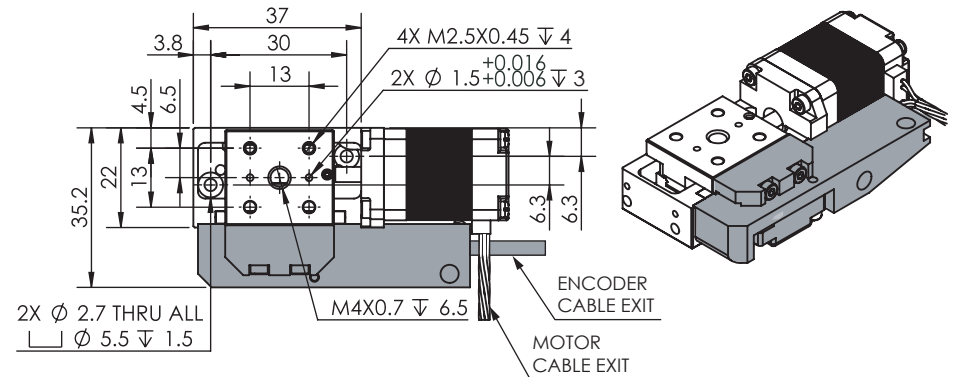
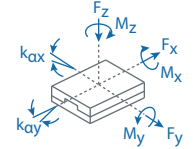
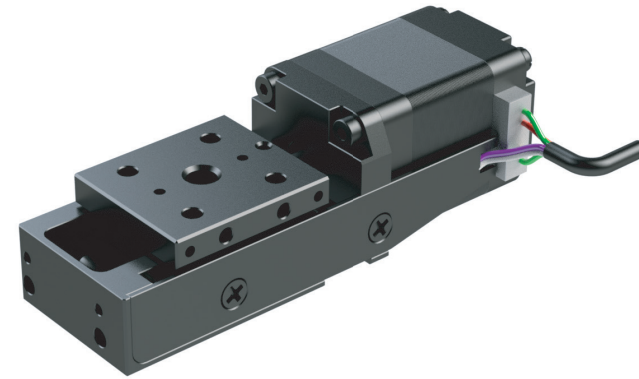
TECHNICAL DATA

Travel range [mm]	10		
Straightness / Flatness [μm]	± 2.5		
Pitch [μrad]	± 150		
Yaw [μrad]	± 150		
Weight [g], Open Loop	85		
Weight [g], Closed Loop	100		
Motor option	2-Phase Stepper Motor		
Speed, max [mm/s]	> 5		
Encoder option	None (open loop)	Analog (1V _{pp})	Digital (RS-422)
Resolution, typical [μm]	0.5	0.05	0.05
Repeatability, bi-directional [μm]	± 4	± 0.2	± 0.2
Repeatability, uni-directional [μm]	0.5	0.2	0.2
Materials	aluminum body, steel bearing (other materials i.e. stainless steel, titanium, etc. available upon request)		

ORDERING INFORMATION

	VT-21-	1	1	1
DRIVE	Stepper Motor, SM-001	1		
TRAVEL	10 mm	1		
ENCODER	None	0		
	Analog (1 V _{pp})	2		
	Digital (RS-422)	3		
LIMIT SWITCH	Mechanical	1		
ENVIRONMENT	Atmospheric	0		
	High Vacuum, 10^{-6} mbar	6		

Load, max	F _x [N]	F _y [N]	F _z [N]	M _x [N-m]	M _y [N-m]	M _z [N-m]	k _{ax} [$\mu\text{rad/N-m}$]	k _{ay} [$\mu\text{rad/N-m}$]
SM-001	10	10	10	0.4	0.6	0.5	-	-



* grey parts for closed loop version only
 * all dimensions are in millimeters

Specifications are subject to change without notice.