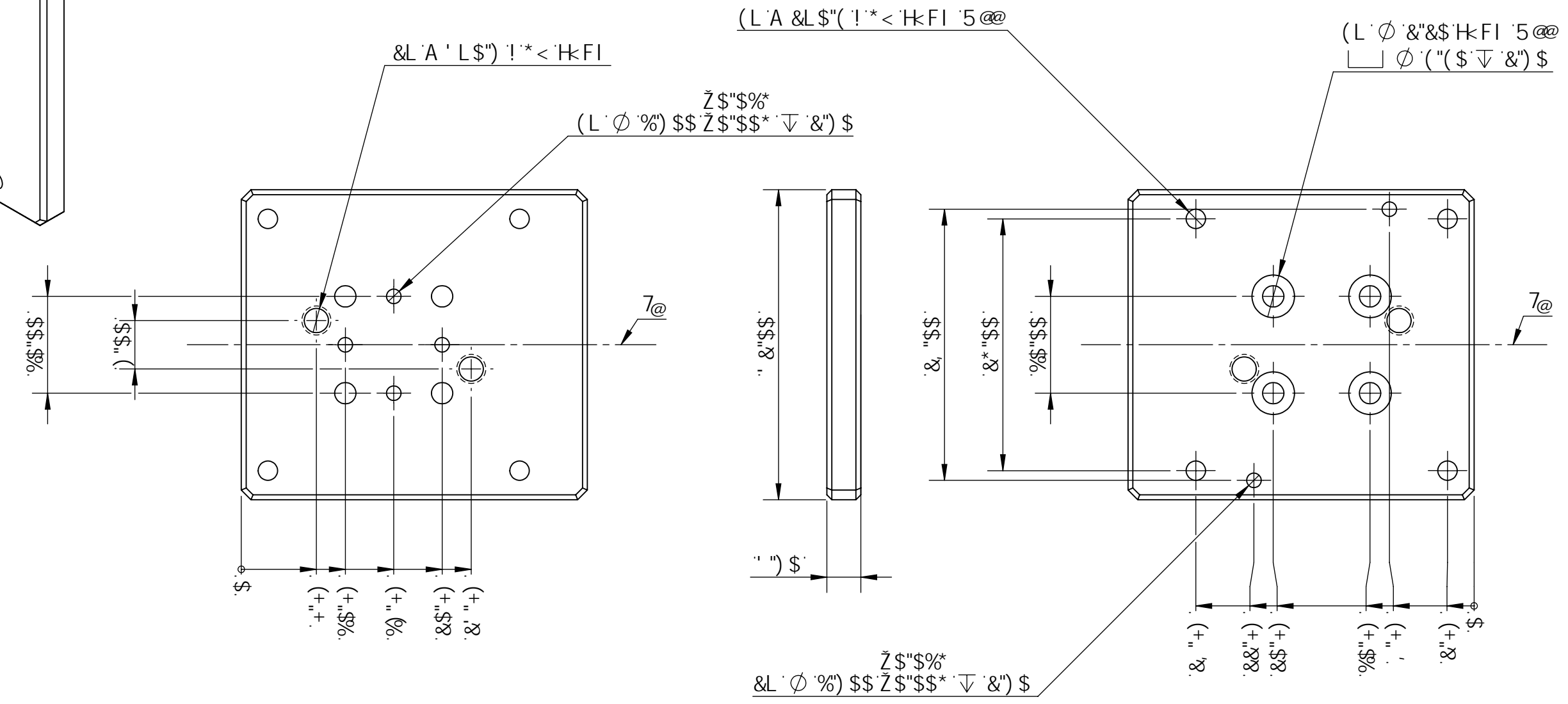
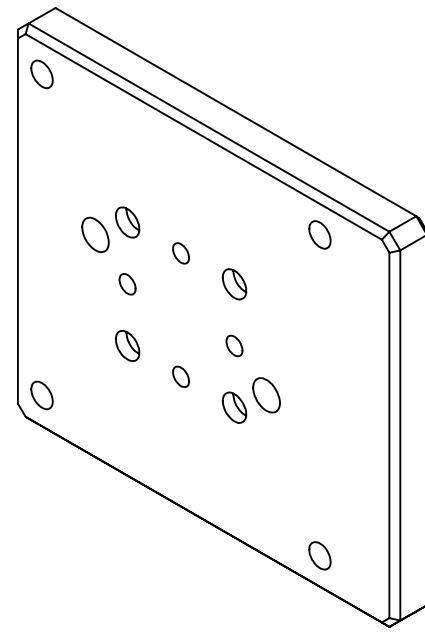


F9J €C BG				
F9J	89G7 F-DHC B	85H9	6M	5DDF
5	ф)U'FYUg'	\$' # %&\$%%		
6	7F95H98 85H5G<99HHC A 5H7 < F9J 66F57?9H	\$' #S, #&\$&'	7 <	



D5FHBI A 69F	A 5HF-5@	:B-G<
(' \$) %!\$\$%	*\$%H' 5@ A -B1 A	BCB9
(' \$) %!%\$%	*\$%H' 5@ A -B1 A	6@57? 5BC 8-#98
C H: 9F' A 5HF-5 @G 5J 5 @5 6@ I DC B F9E I 9GH		

DECDF-5H5FM5B8 7CB: 89BH5@		I B @GGC H: 9FK 49GD97 = 98.		A 5HF-5@	
H: 9-B: CFA 5HC B 7CBH5 B98 -B H: 68C 71 A 9BH		1 8-A 9BGC BG5F9 B A -@A 9HFGQWYGD		G99A 5HF-5 @H5 6@	
6H: 9GC @DFC D9FHC: A 7FCB L1 G52@		1 5@8 A 9BGC BG5DD@MHC: B-G<98 D5FH		<95HF 95HA 9BH	
8-67 @G F9281 D@7 5HC B2C F 5BMC H: 9F I O9 B		1 6F95? 5@G<5FD 98: 9G\$S) !S%) a a		G F: 579 %	
D5FHCF 5G5 K <C @9K H: C1 H: 9DF C F K F H@B		HC @F5B7 9G L'L ±\$%) (\$S%) Q		BCB9	
D9FA @GC B C: A 7FCB L1 G52@7 -GDFC <6+@8*		L'LL ±\$%) (\$S%) Q		:B-G< ✓ σa	
A 5HF-5@		L'LL ±\$%) (\$S%) Q		8C B: CHG7 5@8F5K B:	
G99A 5HF-5 @H5 6@		5B: @G ±\$%)		8F5K B	
<95HF 95HA 9BH		7 <		7 < 85H9 \$' #S, #&\$&'	
BCB9		5:		7 < 97 ?98	
8C B: CHG7 5@8F5K B:		9B: 5DDF"		85H9 \$' #S- #&\$&'	
				85H9 .	
				8K: BC"	
				(' \$) %t	
				F9J	
				6	
				G7 5@	
				G< 99H	
				%#%	