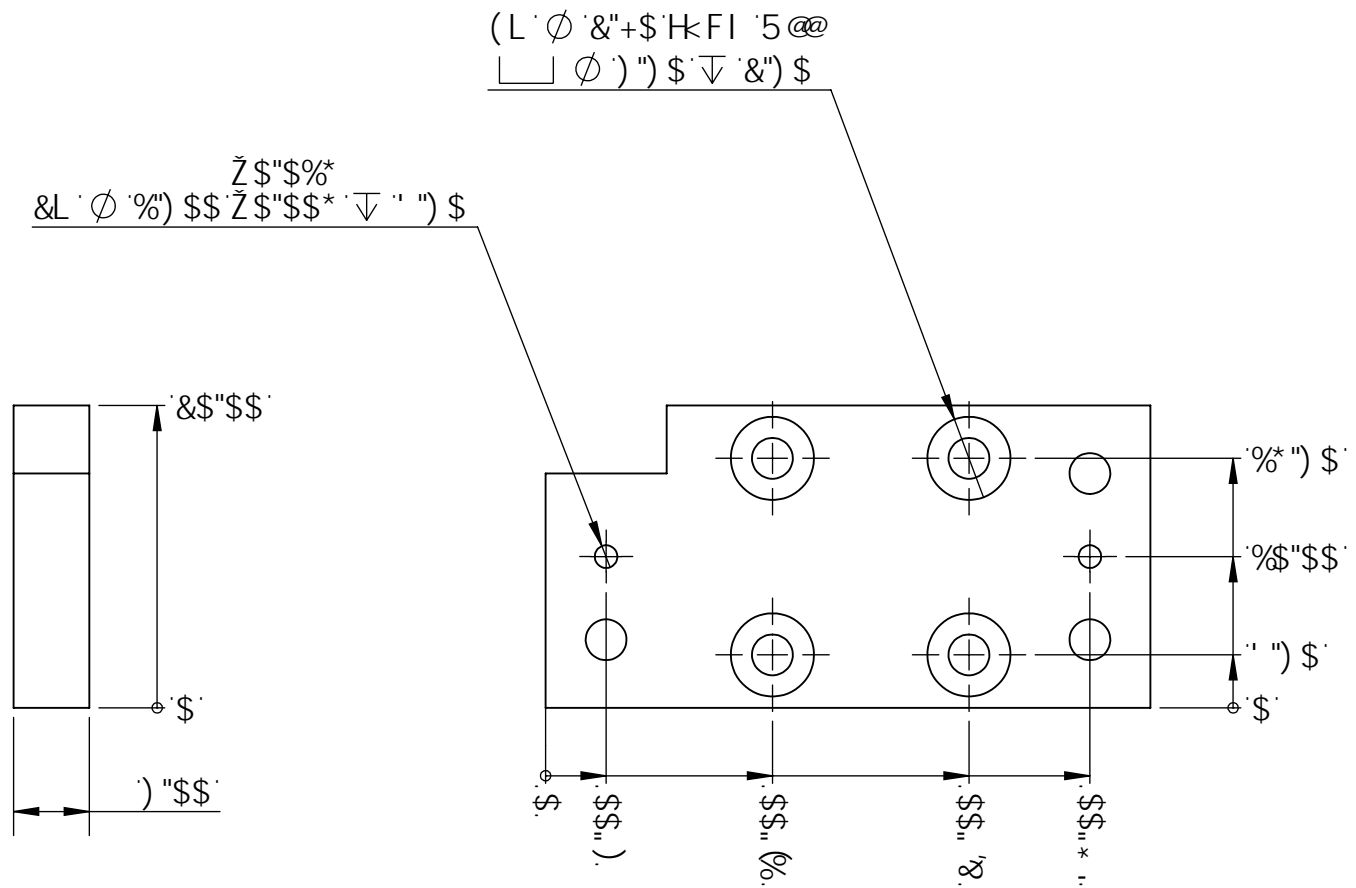
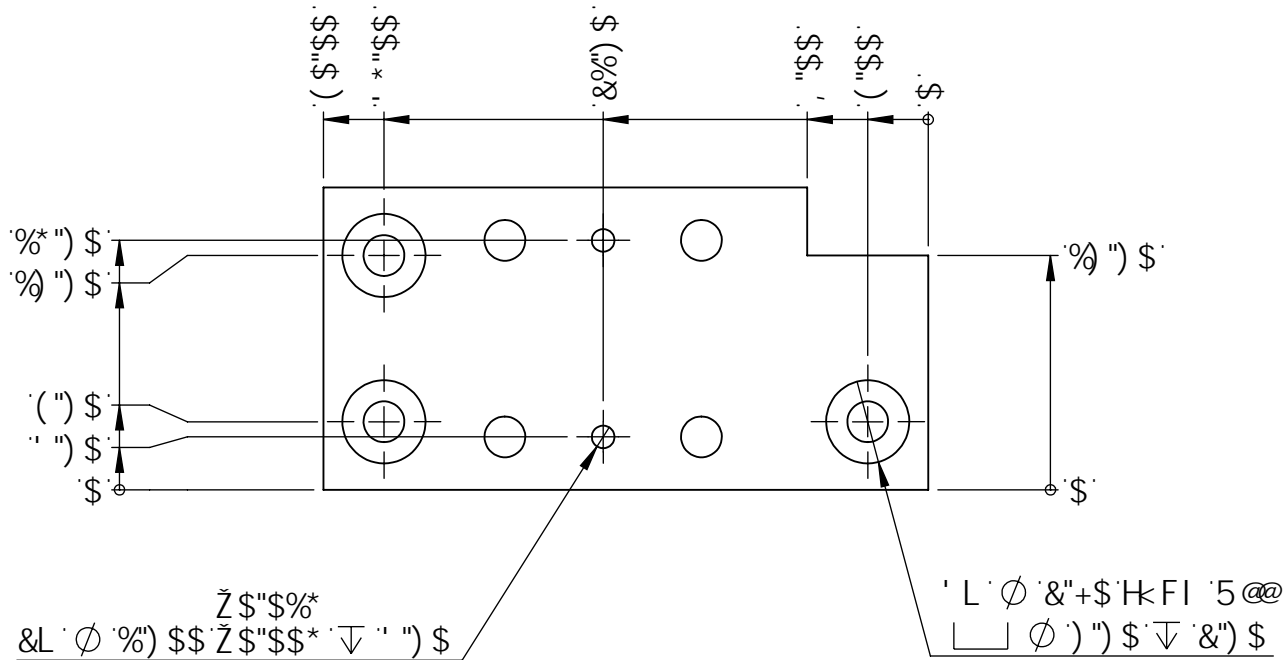
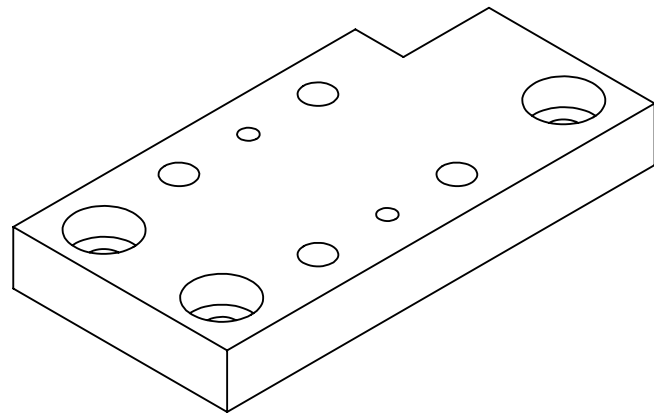


(' \$%\$(!6'5XUdYf'DUY'L MGXY'J+H&%/85H5G<99H

F9J €C BG				
F9J	89G7 F-DHC B	85H9	6M	5DDF
5	#H5@F 9@95 G9	\$) #- #&\$&		
6	7F95H98 85H5G<99HHC A 5H7 < F9J 6'6F57?9H	\$' #- #&\$&	7 <	



D5FHBI A 69F	A 5H9F-5@	:B-€<
(' \$%\$(!\$%)	*\$*%H* '5@ A-BI A	BCB9
(' \$%\$(!\$%)	*\$*%H* '5@ A-BI A	6@7? 5BC8#98

CH:9F'A 5H9F-5@G'5J 5-@56@  
I DC B F9E I 9GH

DEC DF 9H5FM5B8 7CB: 89BH5@		I B@GGC H:9FK 49GD97 = 98.		%) ) 7C @MF J 9F 7#7 @	
H:9B: CFA 5HC B 7CBH5 B98 B H:€8C 71A 9BH		1 8A 9BGC BG5F9 B A-@A 9HFGQWYGD		:CI BH5 B J 5@M 75 -&+,\$	
€H:9GC @9DFC D9FMC: A 7FCB€I G5Z@''		1 5@@8 A 9BGC BG5DD@MHC : B €<98 D5FH		H(-L(, \$!\$),	
8-€7 @G F928I D@7 5HC B2C F 5BMC H:9F I 09 B'		1 6F95? 5@G<5FD98: 9G\$%)!\$%) a a		DF97 :G<CB' A CH<CB' GC@H<CB G k k k 'a Mvcb}i g}W:a	
D5FHCF 5G5 K <C@9K H:CI H:9DF €FK F#H9B		HC @9F5B7 9G		H#H9	
D9FA €GC B C: A 7FCB€I G5Z@' GDFC <6+98*		L'L ±\$%) (B'\$)Q		5 85DH9F D@5H9 LMG-89J H&%/85H5G<99H	
A 5H9F-5@		L'LL ±\$%) (B'\$)Q		8K: BC"	
G99A 5H9F-5@H56@9		L'LL ±\$%) (B'\$)Q		(' \$%\$(	
<95H9F 95HA 9BH		5B: @9G ±\$%)		F9J	
BCB9		G F: 579		6	
8C BCHG75@98F5K B:		:B €< ✓ σa		G#P	
		7 < 85H9 \$' #- #&\$&		6 A 9F=	
		7 < 97 ?98		H: F8	
		# 5: 85H9 \$' #- #&\$&		5B: @	
		9B: 5DDF"		G7 5@	
				G<99H	
				85H9	
				G7 5@	
				G<99H	
				85H9	
				G7 5@	
				G<99H	