

Micro Pusher | MP-15

The MP-15 linear actuator is designed for applications with very limited space conditions. It utilizes a voice coil linear motor and 2 magnetic limit switches for homing.

Not recommended for new designs

KEY FEATURES

- Travel range of 10 mm
- Inductive Encoder
- Maximum force of 1 N
- Ball spline with low backlash, non-rotating tip
- Integrated magnetic limit switches

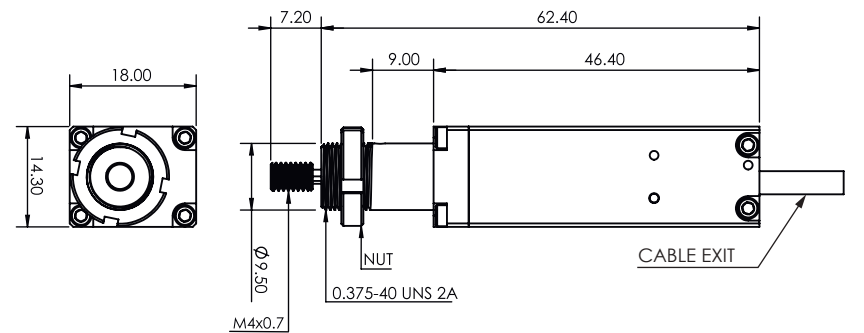
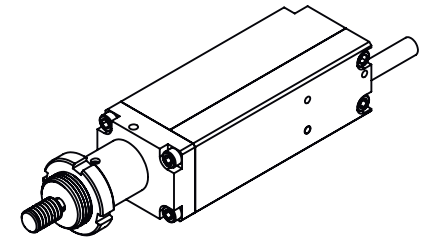
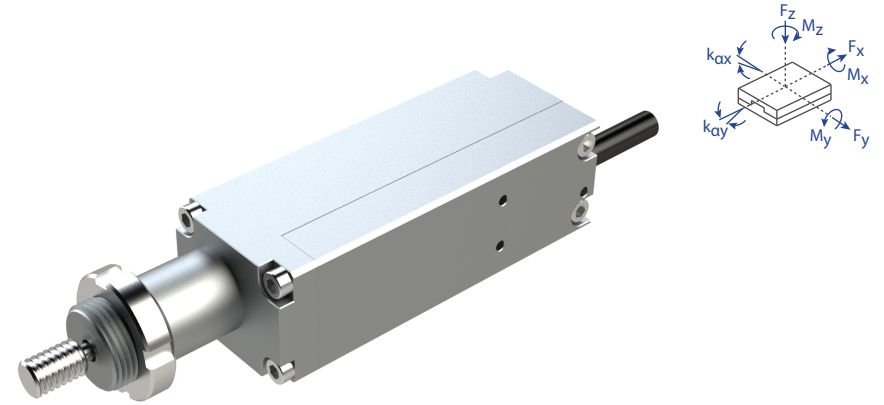
TECHNICAL DATA

Travel range [mm]	10
Straightness / Flatness [μm]	-
Pitch [μrad]	-
Yaw [μrad]	-
Weight [g]	30
Motor option	Voice Coil Linear Motor
Speed, max [mm/s]	50
Encoder option	Digital (RS-422)
Resolution, typical [μm]	0.1
Repeatability, bi-directional [μm]	± 0.5
Repeatability, uni-directional [μm]	0.4
Accuracy [μm]	-
Materials	aluminum body, stainless steel ball spline (other materials i.e. stainless steel, titanium, etc. available upon request)

ORDERING INFORMATION

		MP-15-	3	1	3	1	0
DRIVE	Linear Motor, LM-005		3				
TRAVEL	10 mm		1				
ENCODER	Digital (RS-422)			3			
LIMIT SWITCH	Magnetic				1		
ENVIRONMENT	Atmospheric					0	

Load, max	F_x [N]	F_y [N]	F_z [N]	M_x [N·m]	M_y [N·m]	M_z [N·m]	k_{ax} [$\mu\text{rad/N·m}$]	k_{ay} [$\mu\text{rad/N·m}$]
SM-001	1	-	-	-	-	-	-	-



* all dimensions are in millimeters

Specifications are subject to change without notice.